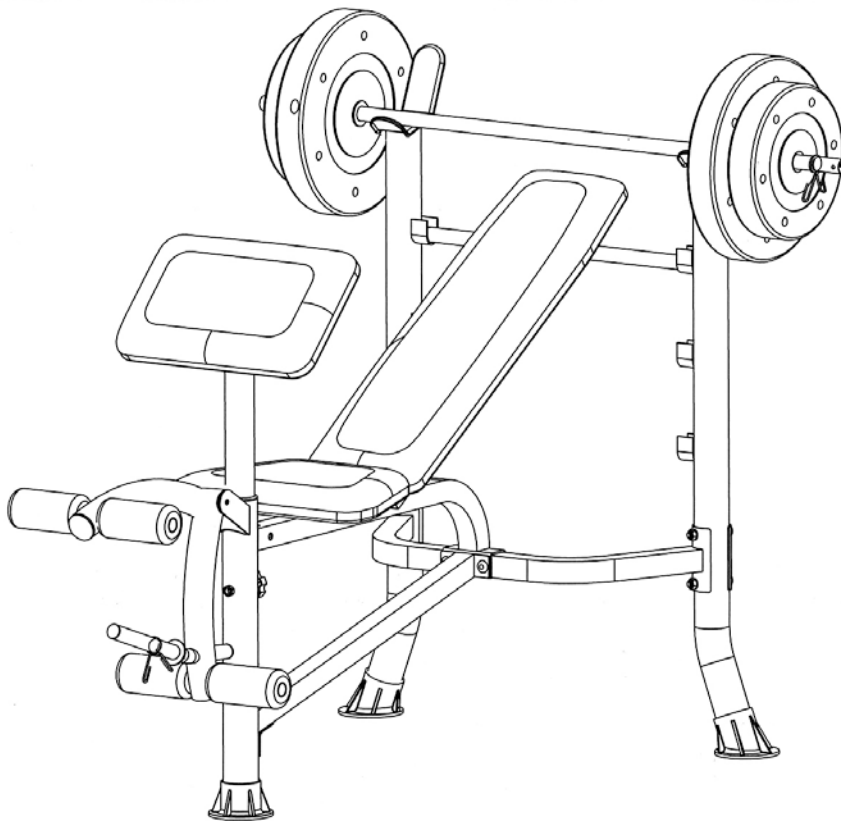


# ***impex***<sup>®</sup>

## **COMPETITOR PRO WEIGHT BENCH CB-2982**

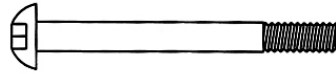


**IMPORTANT:** Please read the Important Safety Notice and Assembly Information in the Owner's manual before assembling this product.

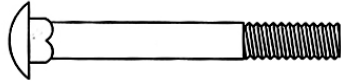
**Assembly Manual**

150720

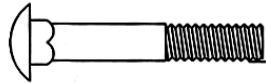




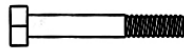
32×1



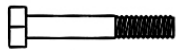
29×4



30×2



41×4



34×4



31×6



38×2



39×6



40×1



35×6

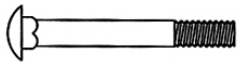


36×8



37×8

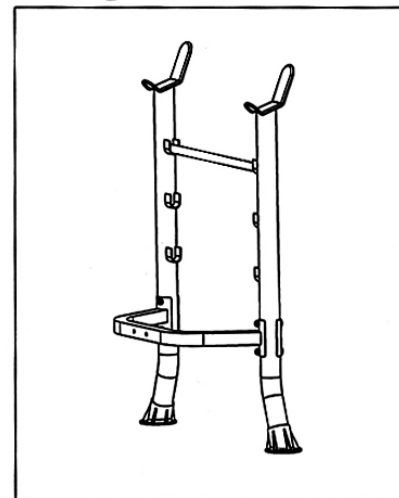
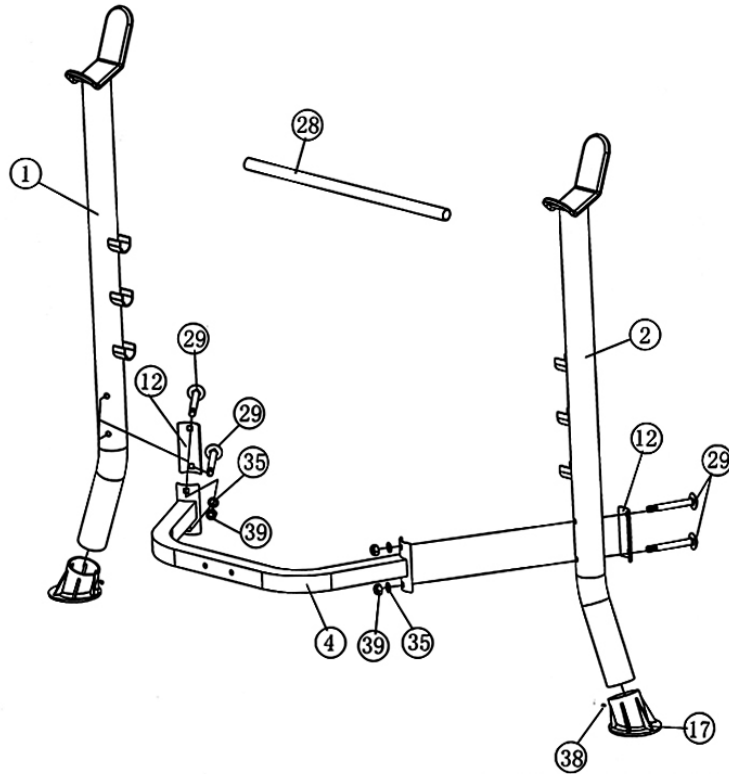
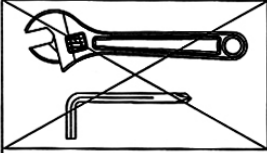


②⑨ × 4  M10 × 3 1/8"

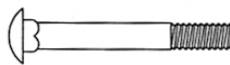
③⑤ × 4   $\Phi \frac{3}{4}$ "

③⑧ × 2  ST5 × 3/8"

③⑨ × 4  M10



1

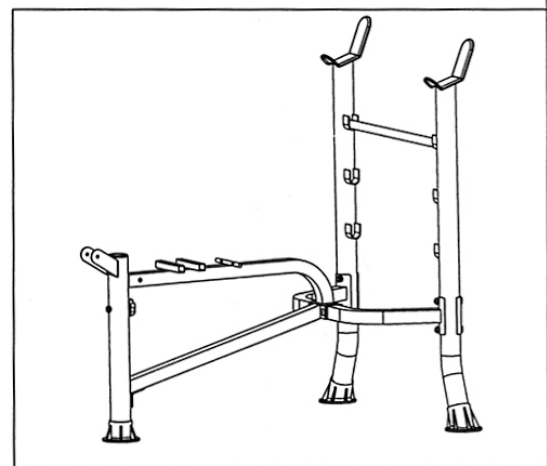
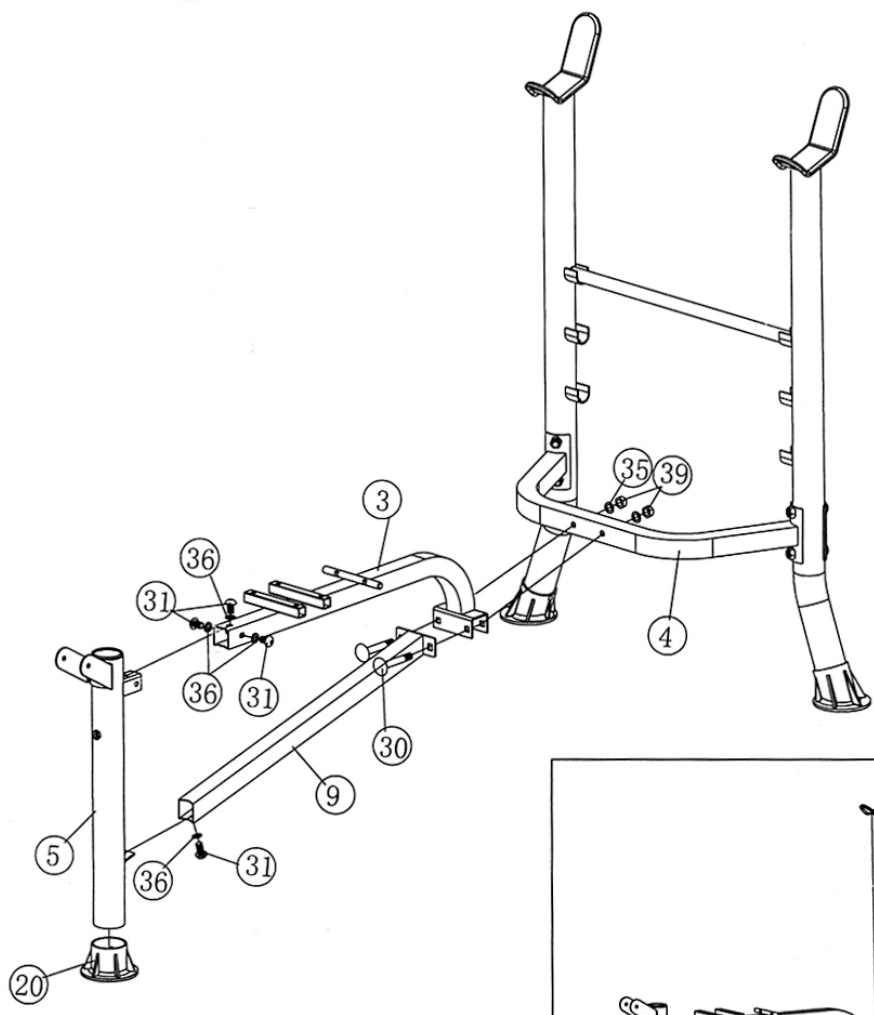
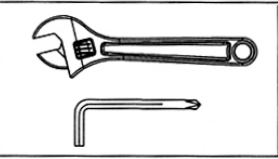
③① × 2  M10 × 2  $\frac{3}{8}$ "

③⑤ × 2   $\phi \frac{3}{4}$ "

③① × 4  M8 ×  $\frac{3}{4}$ "

③⑨ × 2  M10

③⑥ × 4   $\phi \frac{5}{8}$ "

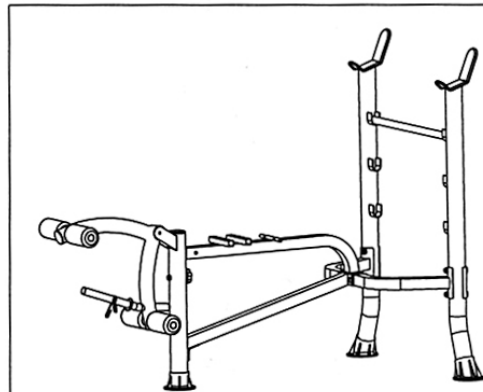
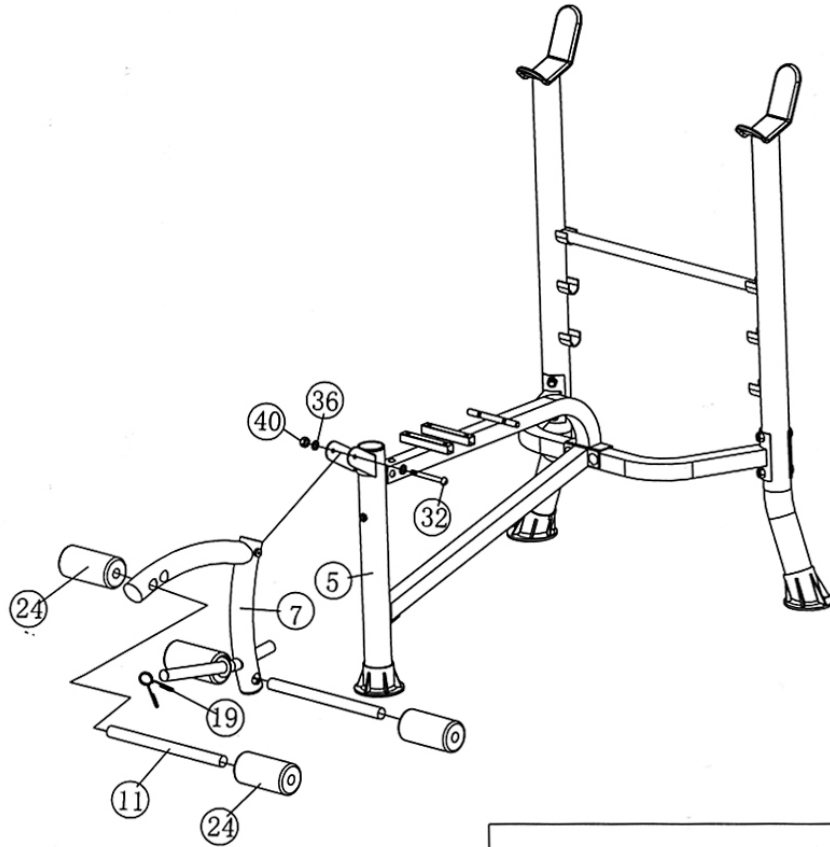


**2**

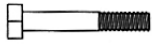
③②× 1  M8 × 3"

③⑥× 2   $\Phi \frac{5}{8}$ "


④①× 1  M8




3

③④ × 4 

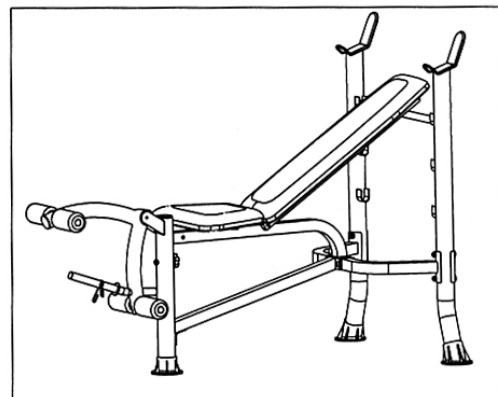
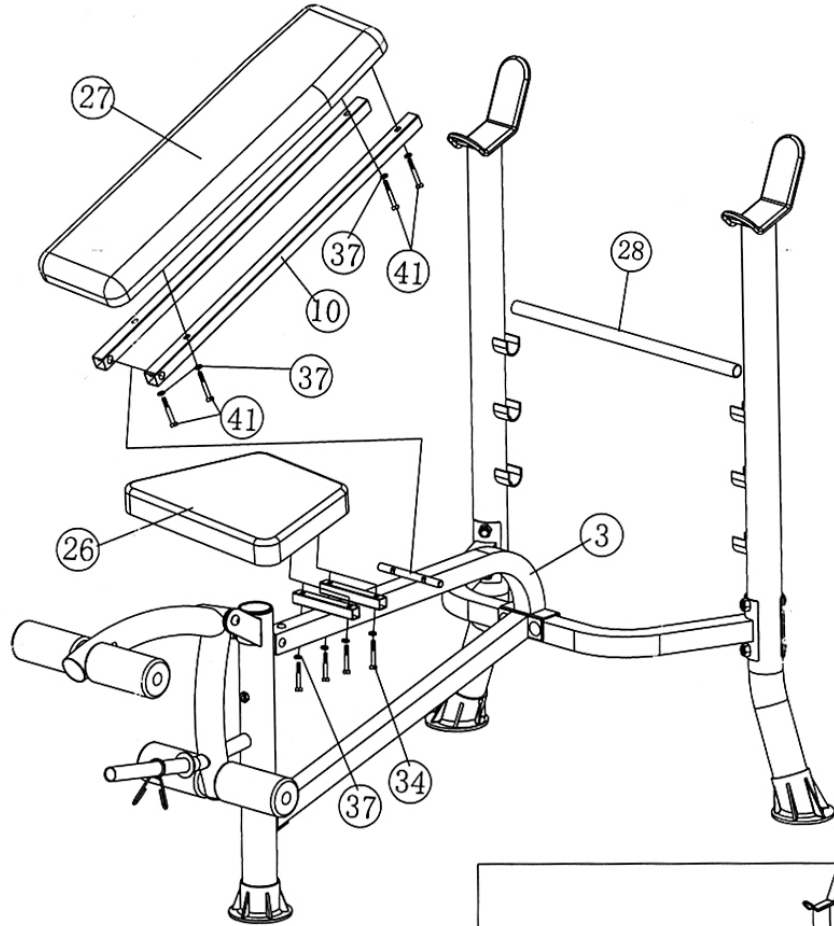
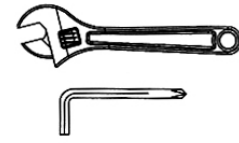
M6 × 1  $\frac{3}{8}$ "

③⑦ × 8 

$\Phi \frac{1}{2}$ "

④① × 4 

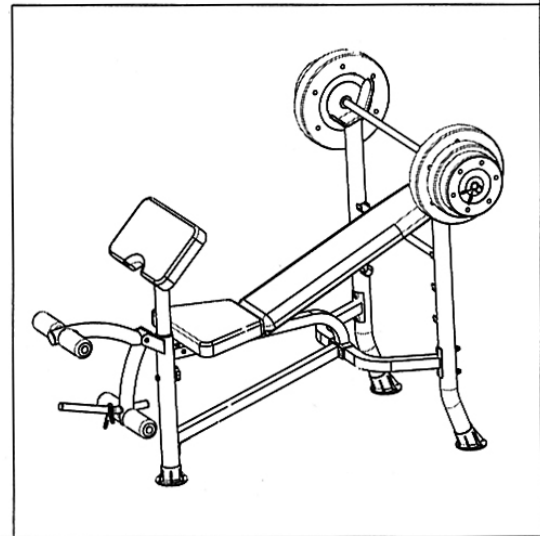
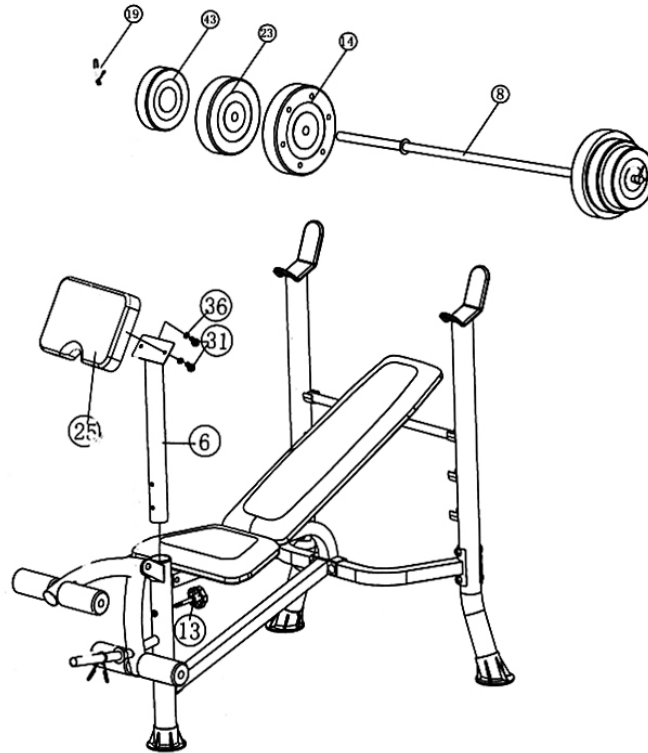
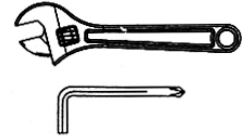
M6 × 1  $\frac{1}{2}$ "



**4**

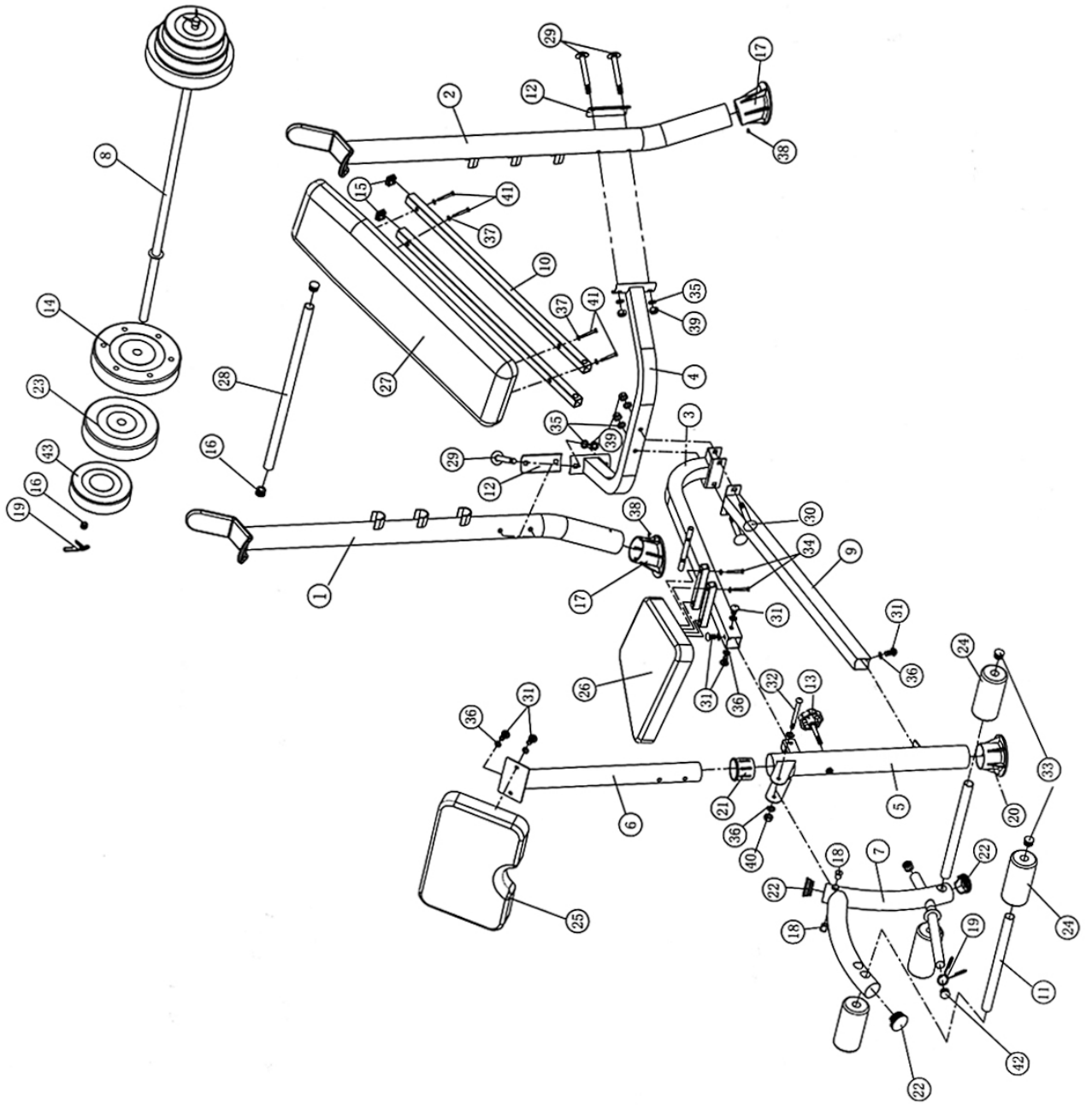
③① × 2  M8 × 3/4"

③⑥ × 2   $\Phi 5/8$ "



**5**





**IMPEX® INC.**

2801 South Towne Avenue, Pomona, California 91766

Tel: (800) 999-8899 Fax: (626) 961-9966

**[www.impex-fitness.com](http://www.impex-fitness.com)**

**[support@impex-fitness.com](mailto:support@impex-fitness.com)**